

Semi-Automatic Weighing, Filling and Sealing System

The system includes:

3 manual filling and weighing stations

2 connecting conveyors

Sealing machine

Rate:

Up to 40 sealed packages/minute

Capacity: 70-250g/package

Operators:

Minimum 3

Space Requirement:

Minimum space requirement 15m²

Air Pressure:

Compressor capacity: 10 CFM

Pressure: 7 Bar

Oil free, dry air

Electrical supply:

3 phase, 380V, 10A

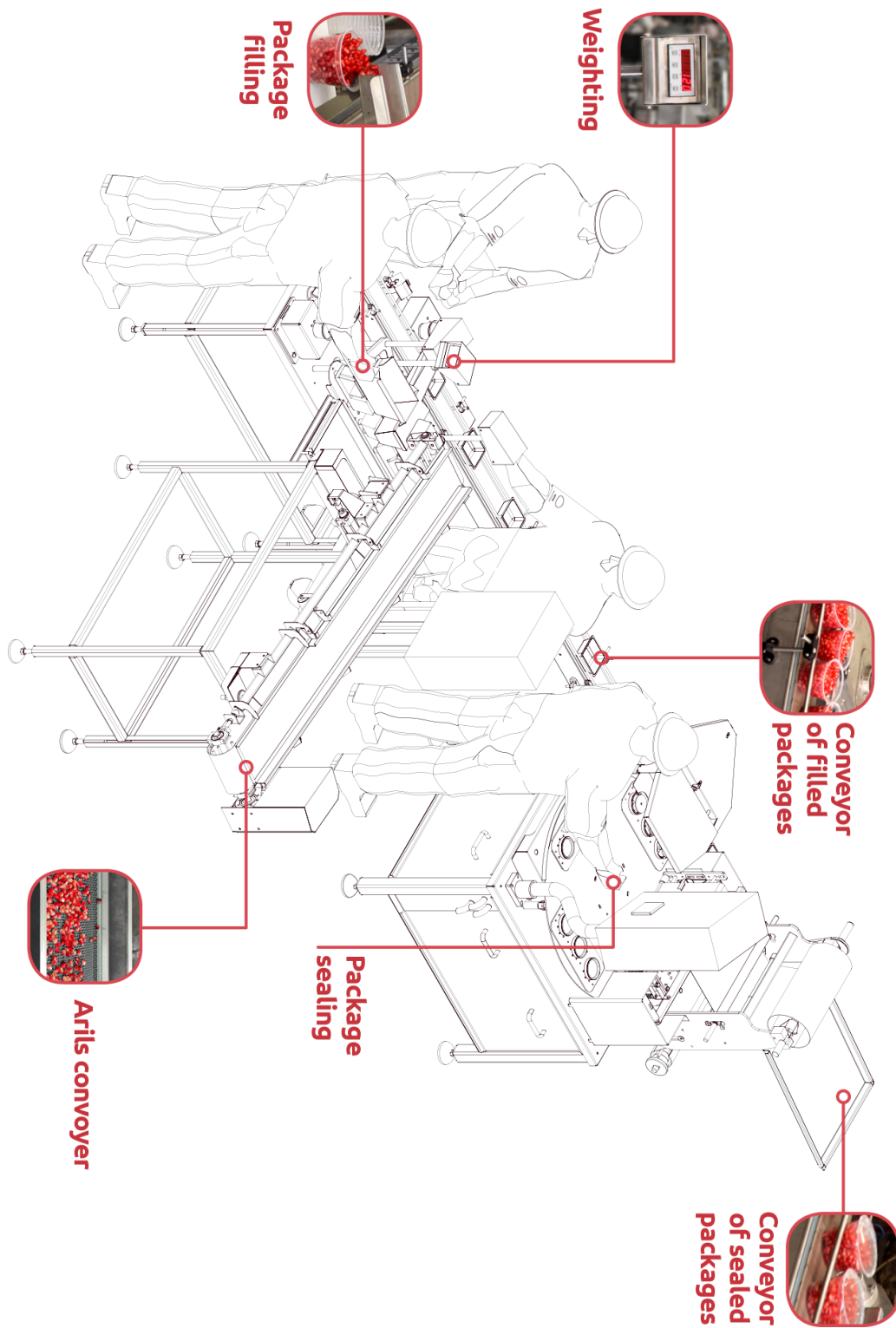
Optional: MAP atmosphere control

All photos and drawings are for demonstration only. JURAN has the right to change and to modify, accordingly with its experience, what included in this machine. All rights reserved to JURAN.

Juran Technologies 23 Shmotkin St. Rishon Lezion, 7536326 Israel

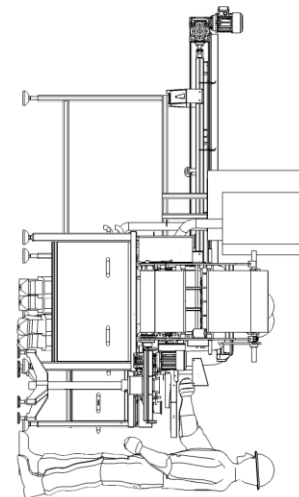
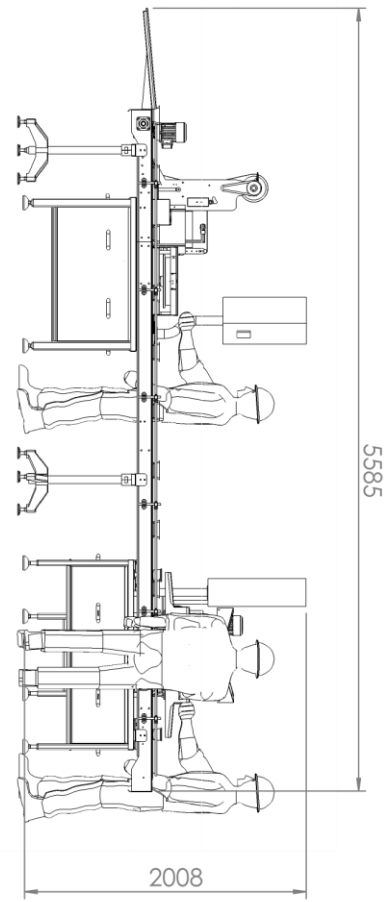
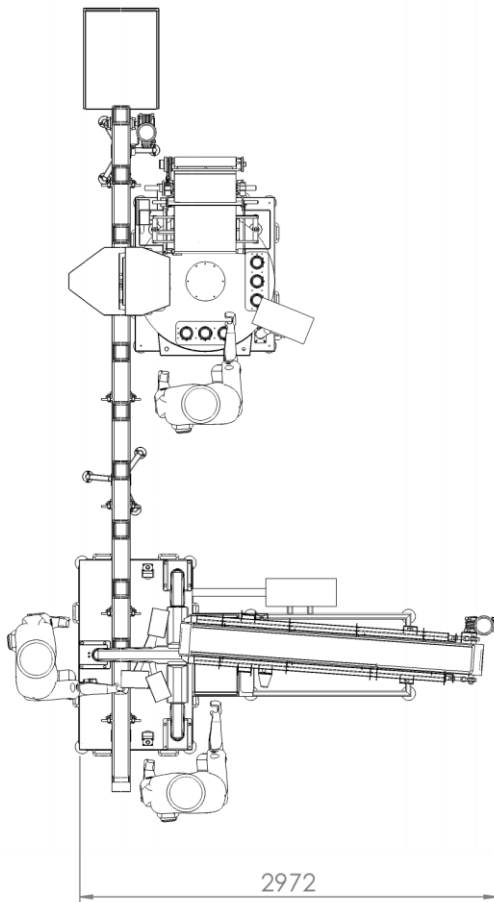
Tel: 972-3-9640377 Fax: 972-3-9640451

Email: marketing@juran.co.il Web: www.arilsystem.com



All photos and drawings are for demonstration only. JURAN has the right to change and to modify, accordingly with its experience, what included in this machine. All rights reserved to JURAN.

Juran Technologies 23 Shmotkin St. Rishon Lezion, 7536326 Israel
Tel: 972-3-9640377 Fax: 972-3-9640451
Email: marketing@juran.co.il Web: www.arilsystem.com



All photos and drawings are for demonstration only. JURAN has the right to change and to modify, accordingly with its experience, what included in this machine. All rights reserved to JURAN.

Juran Technologies 23 Shmotkin St. Rishon Lezion, 7536326 Israel
Tel: 972-3-9640377 Fax: 972-3-9640451
Email: marketing@juran.co.il Web: www.arilsystem.com



All photos and drawings are for demonstration only. JURAN has the right to change and to modify, accordingly with its experience, what included in this machine. All rights reserved to JURAN.

Juran Technologies 23 Shmotkin St. Rishon Lezion, 7536326 Israel
Tel: 972-3-9640377 Fax: 972-3-9640451
Email: marketing@juran.co.il Web: www.arilsystem.com