

## **Two-Heads JU-28**

### **Rate:**

Separation processing: up to 28 pomegranates/minute

Extraction: approx. 1008kg pomegranates/hour

### **Operators:**

Minimum 1

### **Space Requirement:**

Minimum space requirement 40m<sup>2</sup>

### **Air Pressure:**

Compressor capacity: 180 CFM (at the machine)

Pressure: 8 bar

Oil free, dry air, in accordance with FDA regulations

### **Water:**

Water pressure: Fresh water supply at 3 to 4 atmospheres

Water-drain inlet capacity: 4.5 cubic meter/hour

### **Electrical Supply:**

3 phase, 380V, 16A

---

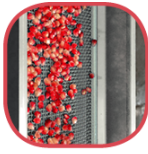
**All photos and drawings are for demonstration only. JURAN has the right to change and to modify, accordingly with its experience, what included in this machine. All rights reserved to JURAN.**

**Juran Technologies** 23 Shmotkin St. Rishon Lezion, 7536326 Israel

Tel: 972-3-9640377 Fax: 972-3-9640451

Email: [marketing@juran.co.il](mailto:marketing@juran.co.il) Web: [www.arilsystem.com](http://www.arilsystem.com)

**Arils  
 conveyor**



**Waste  
 conveyor**

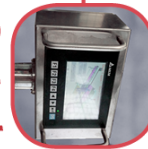


**Aril  
 extraction**

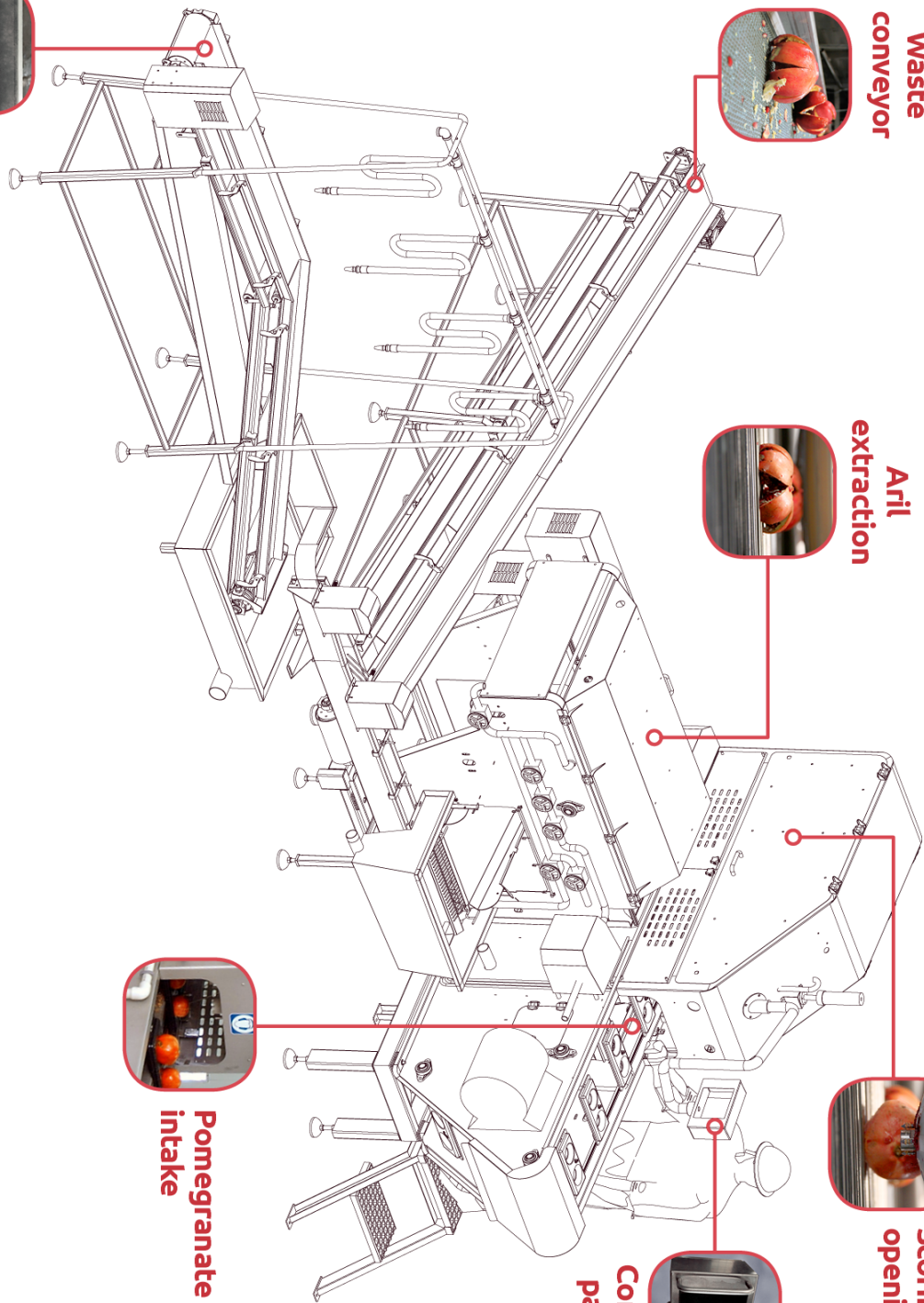
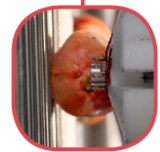


**Pomegranate  
 intake**

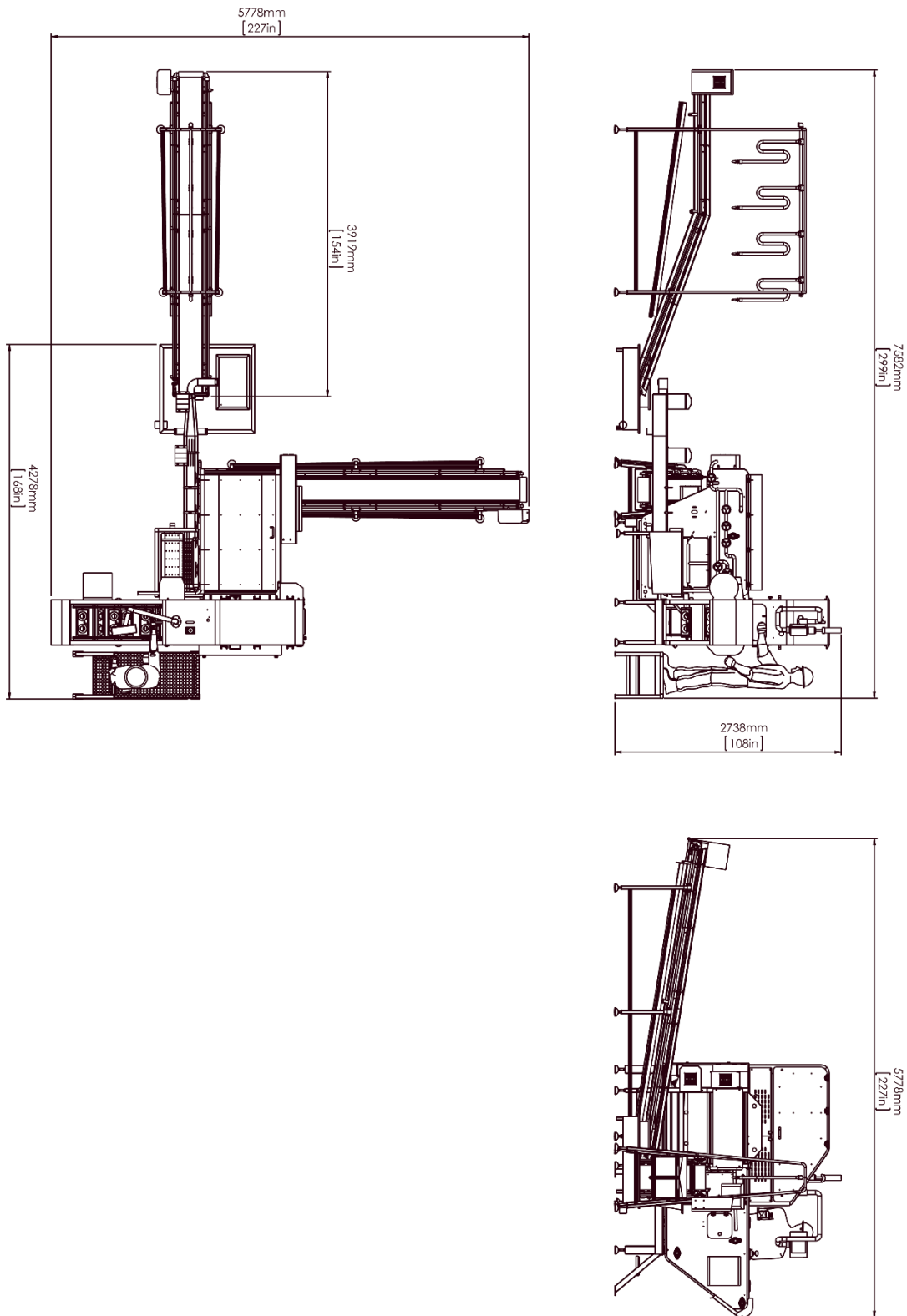
**Control  
 panel**



**Scoring and  
 opening fruit**



**All photos and drawings are for demonstration only. JURAN has the right to change and to modify, accordingly with its experience, what included in this machine. All rights reserved to JURAN.**



**All photos and drawings are for demonstration only. JURAN has the right to change and to modify, accordingly with its experience, what included in this machine. All rights reserved to JURAN.**

**Juran Technologies** 23 Shmotkin St. Rishon Lezion, 7536326 Israel  
 Tel: 972-3-9640377 Fax: 972-3-9640451  
 Email: marketing@juran.co.il Web: www.arilsystem.com



---

**All photos and drawings are for demonstration only. JURAN has the right to change and to modify, accordingly with its experience, what included in this machine. All rights reserved to JURAN.**

**Juran Technologies** 23 Shmotkin St. Rishon Lezion, 7536326 Israel  
Tel: 972-3-9640377 Fax: 972-3-9640451  
Email: [marketing@juran.co.il](mailto:marketing@juran.co.il) Web: [www.arilsystem.com](http://www.arilsystem.com)