

One-Head JU-10

Rate:

Separation Processing: 10-15 pomegranates/minute (depending on operator speed)

Extraction: approx. 504kg pomegranates/hour

Operators:

Minimum 1

Space Requirement:

Minimum space requirement 20m²

Air Pressure:

Compressor capacity: 100 CFM (at the machine)

Pressure: 7 bar

Oil free, dry air, in accordance with FDA regulations

Water:

Water pressure: Fresh water supply at 3 to 4 atmospheres

Water-drain inlet capacity: 0.5 cubic meter/hour

Electrical supply:

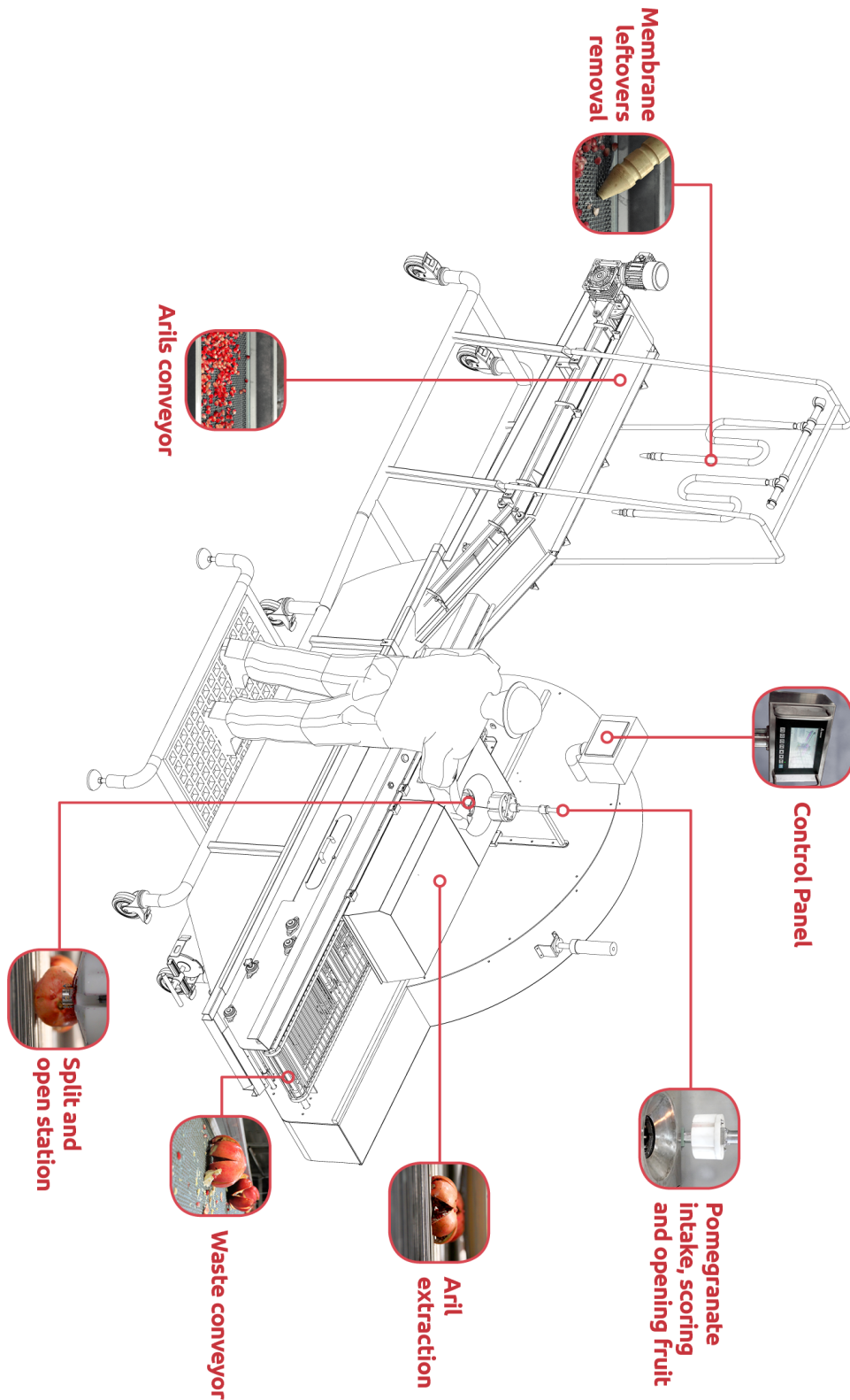
1 phase, 220V, 16A

All photos and drawings are for demonstration only. JURAN has the right to change and to modify, accordingly with its experience, what included in this machine. All rights reserved to JURAN.

Juran Technologies 23 Shmotkin St. Rishon Lezion, 7536326 Israel

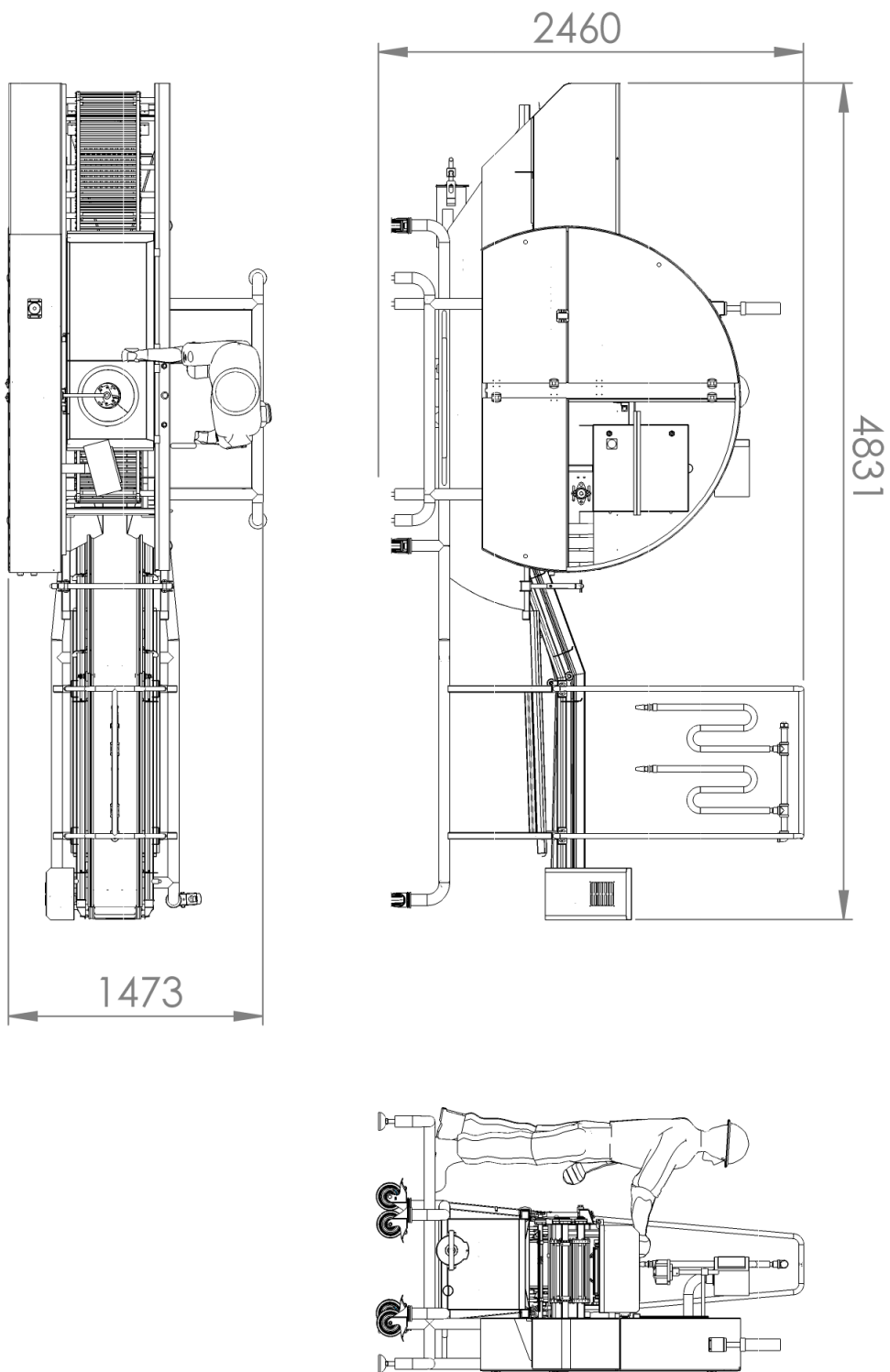
Tel: 972-3-9640377 Fax: 972-3-9640451

Email: marketing@juran.co.il Web: www.arilsystem.com



All photos and drawings are for demonstration only. JURAN has the right to change and to modify, accordingly with its experience, what included in this machine. All rights reserved to JURAN.

Juran Technologies 23 Shmotkin St. Rishon Lezion, 7536326 Israel
 Tel: 972-3-9640377 Fax: 972-3-9640451
 Email: marketing@juran.co.il Web: www.arilsystem.com



All photos and drawings are for demonstration only. JURAN has the right to change and to modify, accordingly with its experience, what included in this machine. All rights reserved to JURAN.

Juran Technologies 23 Shmotkin St. Rishon Lezion, 7536326 Israel
Tel: 972-3-9640377 Fax: 972-3-9640451
Email: marketing@juran.co.il Web: www.arilsystem.com



All photos and drawings are for demonstration only. JURAN has the right to change and to modify, accordingly with its experience, what included in this machine. All rights reserved to JURAN.

Juran Technologies 23 Shmotkin St. Rishon Lezion, 7536326 Israel
Tel: 972-3-9640377 Fax: 972-3-9640451
Email: marketing@juran.co.il Web: www.arilsystem.com