

De-Watering Conveyor for Arilsystem™ JU-10 (for fresh-cut line)

The System includes:

Food grade mesh belt

Electrical control board

6 air blowers

Capacity:

Approx. 170kg arils/hour

Space Requirement:

Minimum space requirement 7m²

Electrical Supply:

3 phase, 380V, 16A

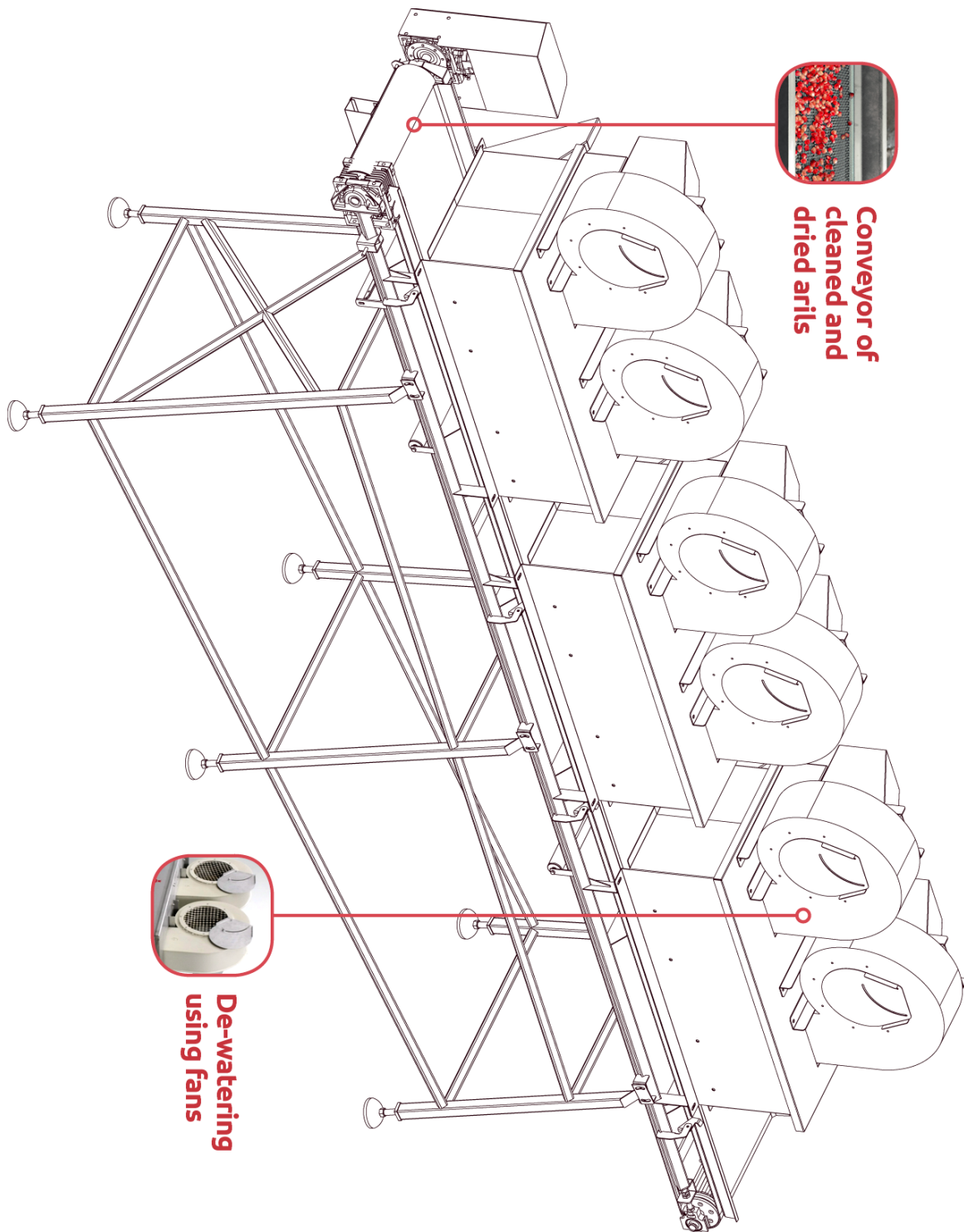
**Made of Stainless-Steel ASA1304*

All photos and drawings are for demonstration only. JURAN has the right to change and to modify, accordingly with its experience, what included in this machine. All rights reserved to JURAN.

Juran Technologies 23 Shmotkin St. Rishon Lezion, 7536326 Israel

Tel: 972-3-9640377 Fax: 972-3-9640451

Email: marketing@juran.co.il Web: www.arilsystem.com

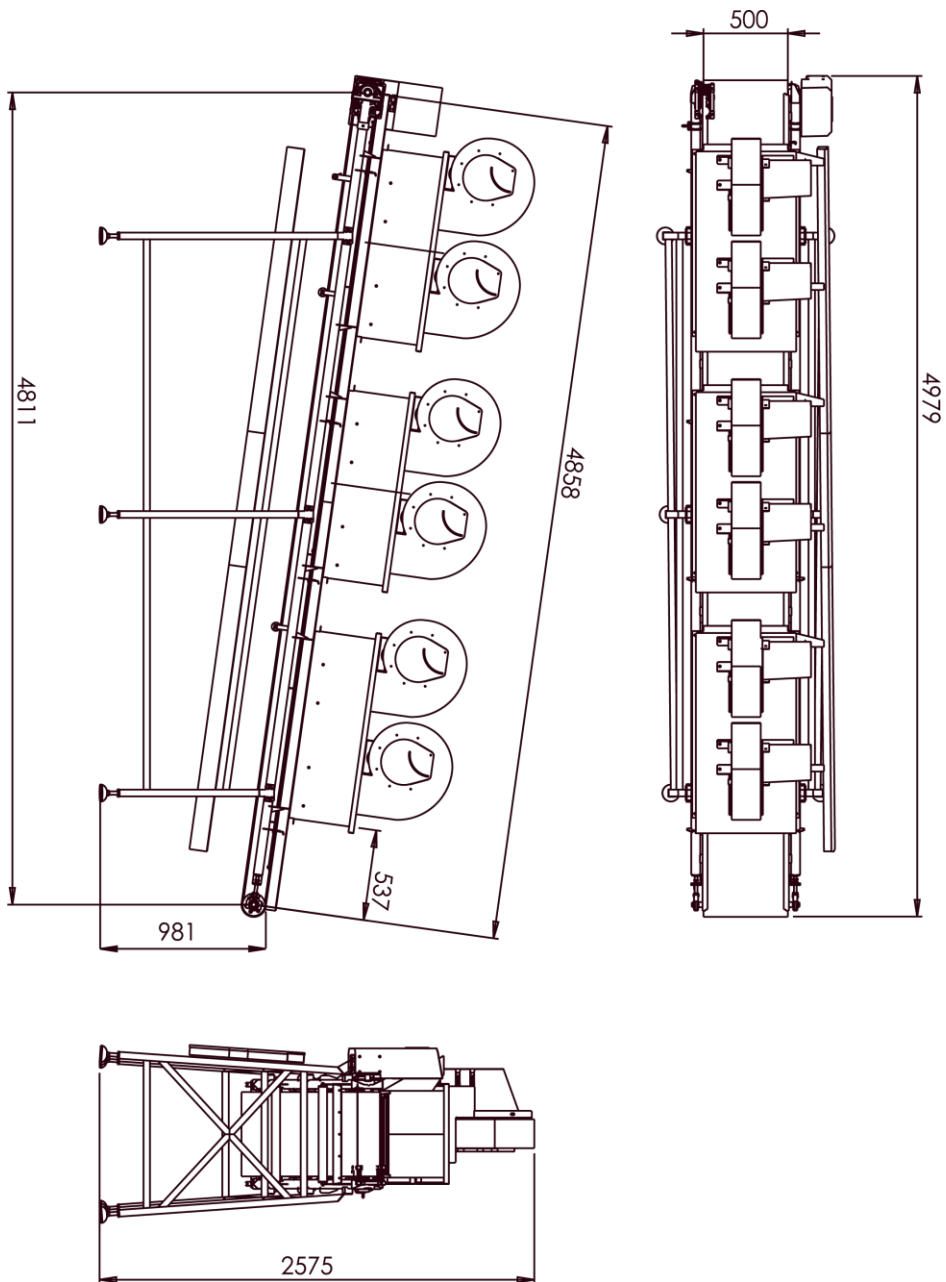


**Conveyor of
cleaned and
dried arils**

**De-watering
using fans**

All photos and drawings are for demonstration only. JURAN has the right to change and to modify, accordingly with its experience, what included in this machine. All rights reserved to JURAN.

Juran Technologies 23 Shmotkin St. Rishon Lezion, 7536326 Israel
Tel: 972-3-9640377 Fax: 972-3-9640451
Email: marketing@juran.co.il Web: www.arilsystem.com



All photos and drawings are for demonstration only. JURAN has the right to change and to modify, accordingly with its experience, what included in this machine. All rights reserved to JURAN.

Juran Technologies 23 Shmotkin St. Rishon Lezion, 7536326 Israel
Tel: 972-3-9640377 Fax: 972-3-9640451
Email: marketing@juran.co.il Web: www.arilsystem.com



All photos and drawings are for demonstration only. JURAN has the right to change and to modify, accordingly with its experience, what included in this machine. All rights reserved to JURAN.

Juran Technologies 23 Shmotkin St. Rishon Lezion, 7536326 Israel
Tel: 972-3-9640377 Fax: 972-3-9640451
Email: marketing@juran.co.il Web: www.arilsystem.com